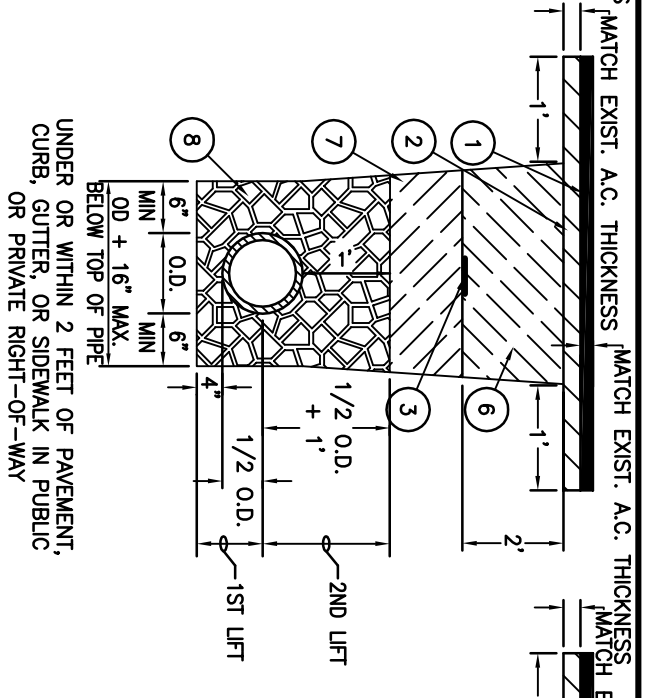
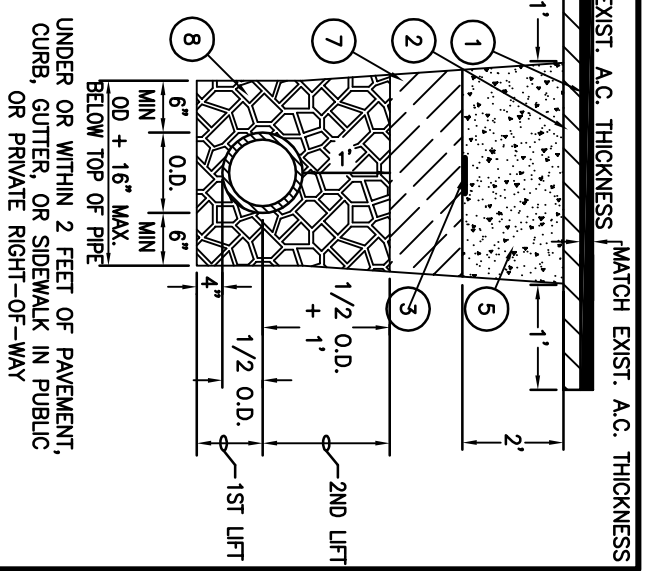


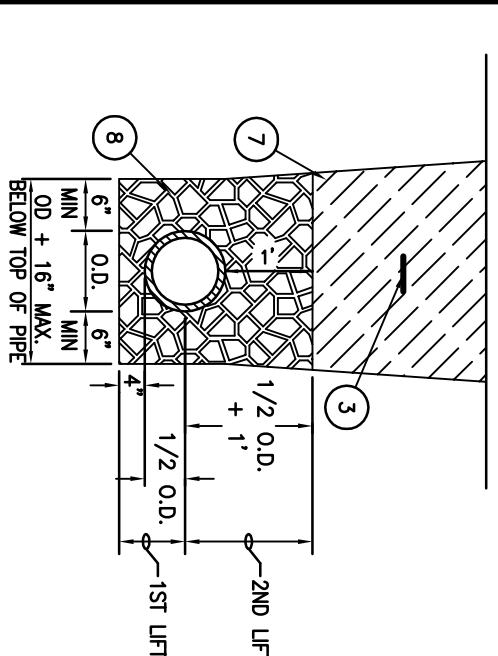
TYPE A



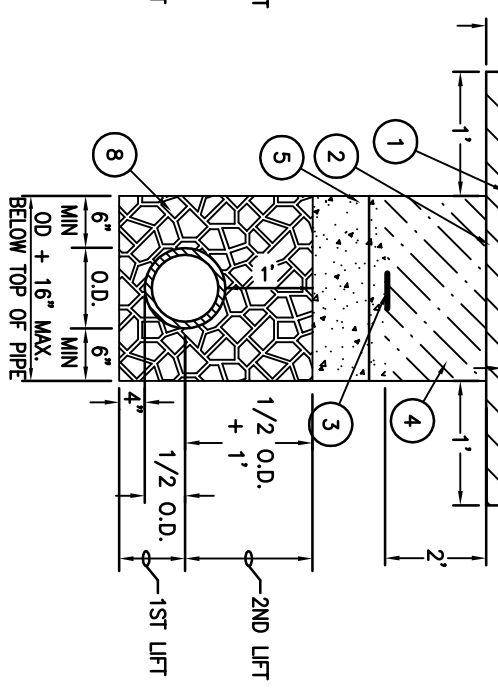
TYPE B



TYPE B1



TYPE C



TYPE D

- 1 A.C. SURFACE COURSE
- 2 A.C. BASE COURSE
- 3 METALLIC WARNING TAPE APPROXIMATELY 2' BELOW SURFACE.
- 4 A.B. SLURRY (NO CEMENT) 100% COMPACTION IN 24" LIFT
- 5 1/2 SACK CLSM (MAG SEC. 728)
- 6 A.B. BASE (MAG SEC. 702) 100% COMPACTION WITH WHEEL VIBRATOR IN 12" LIFTS
- 7 A.B. BASE (MAG SEC. 702) 90% COMPACTION WITH WHEEL VIBRATOR IN 24" LIFTS
- 8 FRACTURED STONE CHIPS (MAG SEC. 716 - LOW VOLUME) RAKED, LEVELED, AND HAND TAMPED 1ST LIFT TO SPRING LINE 2ND LIFT 16" - 24" THICK

DETAIL NO. SM200	STANDARD DETAIL	BEDDING, BACKFILL, AND COMPACTION	SUPERSTITION MOUNTAINS COMMUNITY FACILITIES DISTRICT NO. 1	DETAIL NO. SM200
----------------------------	-----------------	-----------------------------------	--	----------------------------

